

# ENGINEERING DOCUMENT MANAGEMENT

*Online System*

The background features abstract, overlapping geometric shapes in various shades of green, ranging from light lime to dark forest green. These shapes are primarily located on the right side of the slide, creating a modern, layered effect. The text is positioned on the left side of the slide, set against a plain white background.

# Data entry and Upload Document by Vendor epc

# EDMS

Engineering Document Management System

Username

Password

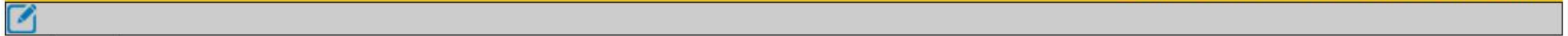
Login

# EDMS

Engineering Document Management System

FOR TESTING ONLY

[Home](#) [Admin](#) [Search](#) [Report](#) [Help](#) [Logout](#)



- [LIBRARY]
  - SEMAI
    - PROJECT DEVELOPMENT
      - CPP
        - BOX TRACKING REGISTER
        - DATA MDR
        - DATA REPORT
        - LIST TRACKER
      - PIPAGAS
        - BOX TRACKING REGISTER
        - DATA MDR
        - DATA REPORT
        - LIST TRACKER
  - Template folder [admin]

Document Project Management



# EDMS

Engineering Document Management System

FOR TESTING ONLY

[Home](#) [Admin](#) [Search](#) [Report](#) [Help](#) [Logout](#)

LIBRARY > SEMAI > PROJECT DEVELOPMENT > PIPAGAS > LIST TRACKER > PRE-FEED

[Create New Record File](#) [Security Access](#) [Document Registered](#) [Document Reviewed](#) [Document Revised](#) [Document Final](#) [Document Completed](#)

- LIBRARY
  - SEMAI
    - PROJECT DEVELOPMENT
      - CPP
        - BOX TRACKING REGISTER
        - DATA MDR
        - DATA REPORT
        - LIST TRACKER
      - PIPAGAS
        - BOX TRACKING REGISTER
        - DATA MDR
        - DATA REPORT
        - LIST TRACKER
          - EPC
          - FEED
          - [PRE-FEED]**
- Template folder [admin]

<input type="checkbox"/>	NO	WORKFLOW NO	VOLUME NO	BOOK NUMBER	BOX NO	DICIPLINE	DOCUMENT CATEGORY	FOLDER 1	FOLDER 2	FOLDER 3	DOCUMENT NUMBER	REVISION NUMBER	DOCUMENT TITLE	DATE (M/D/Y)	STA COM
--------------------------	----	-------------	-----------	-------------	--------	-----------	-------------------	----------	----------	----------	-----------------	-----------------	----------------	--------------	---------

[1]

0 record found

[EXPORT TO XLS](#)

# EDMS

Engineering Document Management System

FOR TESTING ONLY

Add New record to [17] File

VOLUME NO	<input type="text"/>
BOOK NUMBER	<input type="text"/>
BOX NO	<input type="text"/>
DICIPLINE	<input type="text"/>
DOCUMENT CATEGORY	<input type="text"/>
FOLDER 1	<input type="text"/>
FOLDER 2	<input type="text"/>
FOLDER 3	<input type="text"/>
DOCUMENT NUMBER	<input type="text"/>
REVISION NUMBER	<input type="text"/>
DOCUMENT TITLE	<input type="text"/>
DATE (m/d/Y)	<input type="text"/>
STATUS COMMENT	<input type="text"/>
NO PAGES	<input type="text"/>
SIZE	<input type="text"/>
PDF	<input type="text"/>
NATIVE	<input type="text"/>
HARDCOPY	<input type="text"/>
VENDOR NAME	<input type="text"/>
CONTRACT NUMBER	<input type="text"/>
EQUIPMENT NUMBER	<input type="text"/>
EQUIPMENT DESCRIPTION	<input type="text"/>
BARCODE NO	<input type="text"/>
LOCATION NO	<input type="text"/>
CODED BY	<input type="text"/>
CODED DATE (m/d/Y)	<input type="text"/>
CHECK OUT TO	<input type="text"/>
CHECK OUT DATE (m/d/Y)	<input type="text"/>

Save & Add Files [Press F3]

Cancel [Press F8]

Record has been added

---1896770--- Add New record to [14] Document List

### Document File :

Document ID	<input type="text" value=" &lt;automatic&gt;"/>
Category Document	<input type="text"/> <input type="text" value="CERTIFICATE"/>
Document Name	<input type="text" value="682-P14 Test"/>
DATE DOCUMENT UPLOAD	<input type="text" value="14-09-2017 12:49:51"/> DD-MM-YYYY HH:MM:SS
Files	Insert file <input type="button" value="Browse..."/> 682-P14.pdf Max. 40 Mega

### Employee Document List

**Strict Standards:** Only variables should be passed by reference in D:\xampp\htdocs\dmsproject\data\_add.php on line 72

Upload: 682-P01.pdf  
Type: application/pdf  
Size: 1038.1767578125 kB

Upload Success!

Record has been added

Add New record to [22] Workflow

[Home](#) [Admin](#)

Media Type	<input checked="" type="radio"/> PDF <input type="radio"/> NATIVE <input type="radio"/> HARD COPY
Workflow Type	<input checked="" type="radio"/> Workflow
Documnet Status	<input checked="" type="radio"/> Review <input type="radio"/> Revisi <input type="radio"/> Final
Entity	<input type="text" value="PT.SAKA INDONESIA SESULU"/>
User Name	<input type="text" value="ikbal"/>
Workflow Email	<input type="text" value="ikbal@microaccess.co.id"/>
Department	<input type="text" value="IT &amp; Data Management"/>
Prepared by	<input type="text" value="ikbal"/>
Date	<input type="text" value="14-09-2017"/> <input type="button" value="DD-MM-YYYY"/>
Comment	<input type="text" value="Tester For Manual Operation book."/>
WO Workflow	<input type="text" value=" &lt;automatic&gt;"/>
Key ID Document File	<input type="text" value="749"/>

## Employee Document List

**Strict Standards:** Only variables should be passed by reference in D:\xampp\htdocs\dmsproject\data\_add.php on line 72

Upload: 682-P01.pdf



Type: application/pdf

Size: 1038.1767578125 kB

Upload Success!

Record has been added

Add New record to [22] Workflow

<b>Media Type</b>	<input checked="" type="radio"/> PDF <input type="radio"/> NATIVE <input type="radio"/> HARD COPY
<b>Workflow Type</b>	<input checked="" type="radio"/> Workflow
<b>Documnet Status</b>	<input checked="" type="radio"/> Review <input type="radio"/> Revisi <input type="radio"/> Final
<b>Entity</b>	<input type="text"/> PT.SAKA INDONESIA SESULU 
<b>User Name</b>	<input type="text" value="ikbal"/>
<b>Workflow Email</b>	<input type="text" value="ikbal@microaccess.co.id"/>
<b>Department</b>	<input type="text" value="IT &amp; Data Management"/>
<b>Prepared by</b>	<input type="text" value="ikbal"/>
<b>Date</b>	<input type="text" value="14-09-2017"/>  DD-MM-YYYY
<b>Comment</b>	<input type="text" value="Tester For Manual Operation book."/>
<b>WO Workflow</b>	<input type="text" value="&lt;automatic&gt;"/>
<b>Key ID Document File</b>	<input type="text" value="749"/>

Save [Press F4]

Cancel [Press F8]



# EDMS

Engineering Document Management System  
FOR TESTING ONLY

[Home](#) [Admin](#) [Search](#) [Report](#) [Help](#) [Logout](#)



Record telah berhasil diubah.

[Create New Record File](#) [Security Access](#) [Document Registered](#) [Document Reviewed](#) [Document Revised](#) [Document Final](#) [Document Completed](#)

<input type="checkbox"/>	NO	WORKFLOW NO	VOLUME NO	BOOK NUMBER	BOX NO	DICIPLINE	DOCUMENT CATEGORY	FOLDER 1	FOLDER 2	FOLDER 3	DOCUMENT NUMBER	REVISION NUMBER	DOCUMENT TITLE	DATE (M/D/')
<input type="checkbox"/>	1	00233				STRUCTURAL	STRUCTURAL STUDY	UPD-SE-G4-SD-RP-4001	PDF		UPD-SE-G4-SD-RP-4001_WHP B New Riser Guard Impact Analysis_Rev B.pdf	C	Sidayu Field Definition Study WHP B New Riser Guard Impact Analysis	7/24/20
<input type="checkbox"/>	2	00233		1	1	STRUCTURAL	STRUCTURAL STUDY	UPD-SE-G4-SD-RP-4001	PDF		UPD-SE-G4-SD-RP-4001_WHP B New Riser Guard Impact Analysis_Rev B.pdf	B	Sidayu Field Definition Study WHP B New Riser Guard Impact Analysis	7/24/20
<input type="checkbox"/>	3	00234				STRUCTURAL		UPD-SE-G4-SD-RP-4001				A		
<input type="checkbox"/>	4	00265	1	1	1	STRUCTURAL		UPD-SE-G6-SD-RP-4001-TEST			AAA	A	TEST	9/27/20

- LIBRARY
  - SEMAI
    - PROJECT DEVELOPMENT
      - CPP
        - BOX TRACKING REGISTER
          - FEED
          - PRE-FEED
          - SENSITIVITY ASSESMENT
          - test
        - DATA MDR
        - DATA REPORT
        - LIST TRACKER
          - EPC
          - FEED
          - PRE-FEED
          - [TEST]
      - PIPAGAS
        - BOX TRACKING REGISTER
        - DATA MDR
        - DATA REPORT
        - LIST TRACKER
          - EPC
          - FEED
          - PRE-FEED
- Template folder [admin]

Home Admin Search Report Logout

Document Registered

Document Reviewed

Document Revised

Document Final

Change Password

DOCUMENT NUMBER

RE

DOCUMENT TITLE

DA (M/

Collect Work Order

In : Transmittal

<input type="checkbox"/>	MEDIA TYPE	WORKFLOW TYPE	DOCUMNET STATUS	ENTITY	USER NAME	WORKFLOW EMAIL	DEPARTMENT	PREPARED BY	DATE	DATE CREATE	CREATED BY	COMMENT	WO WORKFLOW #	DOCUMNET ON	USER
<a href="#">Print</a> <a href="#">Work Flow</a>	PDF	Workflow	Review	[8] PT.SAKA INDONESIA SESULU	ikbal	ikbal@microaccess.co.id	IT & Data Management	ikbal	14 September 2017	14 September 2017 15:05:57	ikbal	Tester For Manual Operation book.	000000242		Vendor <a href="#">View File</a> <a href="#">View List</a>
<a href="#">Print</a> <a href="#">Work Flow</a>	PDF	Workflow	Review	[8] PT.SAKA INDONESIA SESULU	Jajat Sumantri	Jajat.Sumantri@sakaenergi.com	IT & Data Management	ikbal	14 September 2017	14 September 2017 09:43:22	ikbal	abc	000000239		Vendor <a href="#">View File</a> <a href="#">View List</a>

[1]

2 record found, from 1 to 2.

[EXPORT TO XLS](#)

# Review Document and Workflow Document by Document Control



Document.control@sakaenergi.com[DMS Project Server] <isworonugro2013@gmail.com>

ke saya ▾



Inggris ▾



Indonesia ▾

[Terjemahkan pesan](#)

## PT.SAKA INDONESIA SESULU

The Energy , 11th - 12th Floor, Lot. 11A SCBD Sudirman Kav. 52-53

Jl. Jend. Sudirman Jakarta Selatan 12190

Indonesia

Telp: 021 29951000

### WORKFLOW FOR REVIEW

Workflow Type	Workflow
Documnet Status	Review
User Name	ikbal
Workflow Email	<a href="mailto:ikbal@microaccess.co.id">ikbal@microaccess.co.id</a>
Department	IT & Data Management
Prepared by	ikbal
Date	14-09-2017
Date Create	14-09-2017 15:05:57
Created By	ikbal
Comment	Tester For Manual Operation book.
WO Workflow	000000242

Document Category : CERTIFICATE

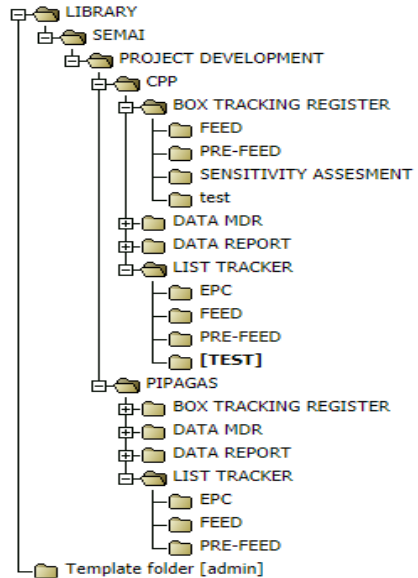
# EDMS

## Engineering Document Management System





FOR TESTING ONLY



Record telah berhasil diubah.



<input type="checkbox"/>	NO	WORKFLOW NO	VOLUME NO	BOOK NUMBER	BOX NO	DICIPLINE	DOCUMENT CATEGORY	FOLDER 1	FOLDER 2	FOLDER 3	DOCUMENT NUMBER	REVISION NUMBER	DOCUMENT TITLE	DATE (M/D/)
<input type="checkbox"/>	1	00233				STRUCTURAL	STRUCTURAL STUDY	UPD-SE-G4-SD-RP-4001	PDF		UPD-SE-G4-SD-RP-4001_WHP B New Riser Guard Impact Analysis_Rev B.pdf	C	Sidayu Field Definition Study WHP B New Riser Guard Impact Analysis	7/24/20
<input type="checkbox"/>	2	00233		1	1	STRUCTURAL	STRUCTURAL STUDY	UPD-SE-G4-SD-RP-4001	PDF		UPD-SE-G4-SD-RP-4001_WHP B New Riser Guard Impact Analysis_Rev B.pdf	B	Sidayu Field Definition Study WHP B New Riser Guard Impact Analysis	7/24/20
<input type="checkbox"/>	3	00234				STRUCTURAL		UPD-SE-G4-SD-RP-4001				A		
<input type="checkbox"/>	4	00265	1	1	1	STRUCTURAL		UPD-SE-G6-SD-RP-4001-TEST			AAA	A	TEST	9/27/20

-  Document Registered
-  Document Reviewed
-  Document Revised
-  Document Final
- Change Password

DOCUMENT NUMBER







RE NUMBER

DOCUMENT TITLE

DATE (M)

Collect Work Order

In : Transmittal

<input type="checkbox"/>	MEDIA TYPE	WORKFLOW TYPE	DOCUMNET STATUS	ENTITY	USER NAME	WORKFLOW EMAIL	DEPARTMENT	PREPARED BY	DATE	DATE CREATE	CREATED BY	COMMENT	WO WORKFLOW #	DOCUMNET ON	USER
 <a href="#">Work Flow</a>	PDF	Workflow	Review	[8] PT.SAKA INDONESIA SESULU	ikbal	ikbal@microaccess.co.id	IT & Data Management	ikbal	14 September 2017	14 September 2017 15:05:57	ikbal	Tester For Manual Operation book.	000000242		Vendor  
 <a href="#">Work Flow</a>	PDF	Workflow	Review	[8] PT.SAKA INDONESIA SESULU	Jajat Sumantri	Jajat.Sumantri@sakaenergi.com	IT & Data Management	ikbal	14 September 2017	14 September 2017 09:43:22	ikbal	abc	000000239		Vendor  

[1]

2 record found, from 1 to 2.

 EXPORT TO XLS

**WORKFLOW FOR REVIEW**

<b>Workflow Type</b>	Workflow
<b>Documnet Status</b>	Final
<b>User Name</b>	Jajat Sumantri
<b>Workflow Email</b>	Jajat.Sumantri@sakaenergi.com
<b>Department</b>	IT & Data Management
<b>Prepared by</b>	Febriana
<b>Date</b>	24-07-2017
<b>Date Create</b>	24-07-2017 14:57:49
<b>Created By</b>	Febriana
<b>Comment</b>	Pak Jajat, Please sign this transmittal thanks
<b>WO Workflow</b>	 2017000000169
<b>Documnet On</b>	4297
<b>User Name</b>	Jajat Sumantri at: 24-07-2017 15:02:38
<b>Comment</b>	Mba.Windi, Done, thanks

**Document Category : PREFEED**

No.	DOCUMENT TITLE	DATE
1	035-235-001-VII-17, 24Jul17.pdf	07/24/2017

**+ Completing Document Final**

Assign to User

**SEND Mail TO**

**CC Mail TO**

**USER NAME**

Jajat Sumantri  
MARDYANTO  
Taufiq Rahman

**DEPARTEMEN NAME**

IT & Data Management  
IT & Data Management  
PT.AGCIA PERTIWI

Assign User

User/Login/Dep.

Find

\* Please use %% for find all user.

**ACTION**

**USER NAME**

**LOGIN NAME**

**DEPARTEMEN NAME**

Comment :  Review  Revised  Final

Save Comment

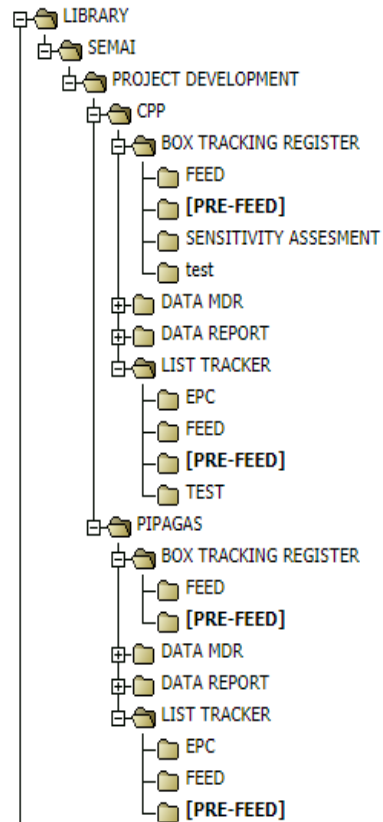
Would you like to store your password for 172.

# EDMS

Engineering Document Management System

FOR TESTING ONLY

LIBRARY > SEMAI > PROJECT DEVELOPMENT > CPP > LIST TRACKER > PRE-FEED



Security Access: PRE-FEED

USER NAME	DEPARTEMEN NAME
admin	IT & Data Management
Jajat Sumantri	IT & Data Management
Eva Kustina	

Save Policy User/Login/Dep.  Find \* Please use %% for find all user.

ACTION	USER NAME	LOGIN NAME	DEPARTEMEN NAME
<input type="button" value="remove"/>	admin	admin	IT & Data Management
<input type="button" value="remove"/>	Jajat Sumantri	Jajat	IT & Data Management
<input type="button" value="remove"/>	Eva Kustina	eva	
<input type="checkbox"/>	VENDOR	vendor	
<input type="checkbox"/>	USER	user	
<input type="checkbox"/>	DOCUMENT CONTROL	docon	
<input type="checkbox"/>	VISITOR	visitor	
<input type="checkbox"/>	Deddy	dedy	Jambi Merang



# Review Document and Revise Document by Users

The background features abstract, overlapping geometric shapes in various shades of green, ranging from light lime to dark forest green. These shapes are primarily located on the right side of the slide, creating a modern, layered effect. The text is positioned on the left side of the slide, set against a plain white background.



Document.control@sakaenergi.com[DMS Project Server] <isworonugro2013@gmail.com>

ke saya ▾



Inggris ▾



Indonesia ▾

[Terjemahkan pesan](#)

## PT.SAKA INDONESIA SESULU

The Energy , 11th - 12th Floor, Lot. 11A SCBD Sudirman Kav. 52-53

Jl. Jend. Sudirman Jakarta Selatan 12190

Indonesia

Telp: 021 29951000

### WORKFLOW FOR REVIEW

<b>Workflow Type</b>	Workflow
<b>Documnet Status</b>	Review
<b>User Name</b>	ikbal
<b>Workflow Email</b>	<a href="mailto:ikbal@microaccess.co.id">ikbal@microaccess.co.id</a>
<b>Department</b>	IT & Data Management
<b>Prepared by</b>	ikbal
<b>Date</b>	14-09-2017
<b>Date Create</b>	14-09-2017 15:05:57
<b>Created By</b>	ikbal
<b>Comment</b>	Tester For Manual Operation book.
<b>WO Workflow</b>	000000242

**Document Category : CERTIFICATE**

# EDMS

Engineering Document Management System

Username

Password

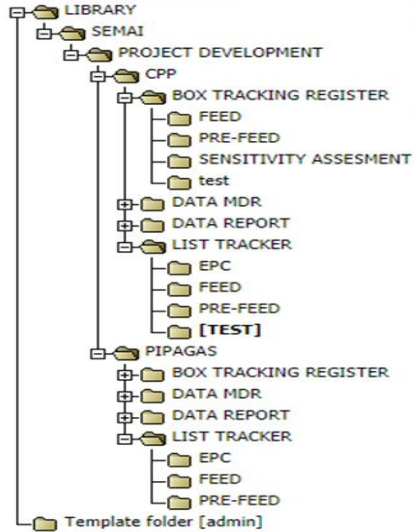
Login

# EDMS

Engineering Document Management System  
FOR TESTING ONLY

[Home](#) [Admin](#) [Search](#) [Report](#) [Help](#) [Logout](#)

Record telah berhasil diubah.



[Create New Record File](#) [Security Access](#) [Document Registered](#) [Document Reviewed](#) [Document Revised](#) [Document Final](#) [Document Completed](#)

<input type="checkbox"/>	NO	WORKFLOW NO	VOLUME NO	BOOK NUMBER	BOX NO	DICIPLINE	DOCUMENT CATEGORY	FOLDER 1	FOLDER 2	FOLDER 3	DOCUMENT NUMBER	REVISION NUMBER	DOCUMENT TITLE	DATE (M/D/')
<input type="checkbox"/>	1	00233				STRUCTURAL	STRUCTURAL STUDY	UPD-SE-G4-SD-RP-4001	PDF		UPD-SE-G4-SD-RP-4001_WHP B New Riser Guard Impact Analysis_Rev B.pdf	C	Sidayu Field Definition Study WHP B New Riser Guard Impact Analysis	7/24/20
<input type="checkbox"/>	2	00233		1	1	STRUCTURAL	STRUCTURAL STUDY	UPD-SE-G4-SD-RP-4001	PDF		UPD-SE-G4-SD-RP-4001_WHP B New Riser Guard Impact Analysis_Rev B.pdf	B	Sidayu Field Definition Study WHP B New Riser Guard Impact Analysis	7/24/20
<input type="checkbox"/>	3	00234				STRUCTURAL		UPD-SE-G4-SD-RP-4001				A		
<input type="checkbox"/>	4	00265	1	1	1	STRUCTURAL		UPD-SE-G6-SD-RP-4001-TEST			AAA	A	TEST	9/27/20



Home



Admin



Search



Report



Logout



Document Registered



Document Reviewed



Document Revised



Document Final



Change Password

DOCUMENT NUMBER

RE NUMBER

DOCUMENT TITLE

DATE (M)



MEDIA TYPE

WORKFLOW TYPE

DOCUMENT STATUS

ENTITY

USER NAME

WORKFLOW EMAIL

DEPARTMENT

PREPARED BY

DATE

DATE CREATE

CREATED BY

COMMENT

WO WORKFLOW #

DOCUMENT ON

USER



Workflow

PDF

Workflow

Review

[13] SAKA INDONESIA PANGKAH Ltd

Jajat Sumantri

Jajat.Sumantri@sakaenergi.com

IT & Data Management

Febriana

22 August 2017

22 August 2017 15:03:35

Febriana

Pak Jajat, Please review thanks

00000231

Yulianto Hari Triboto

Jajat Sumantri  
Ahmad Haidar Pangihutan Tobing Yulianto Hari Triboto Febriana Windi Susanti

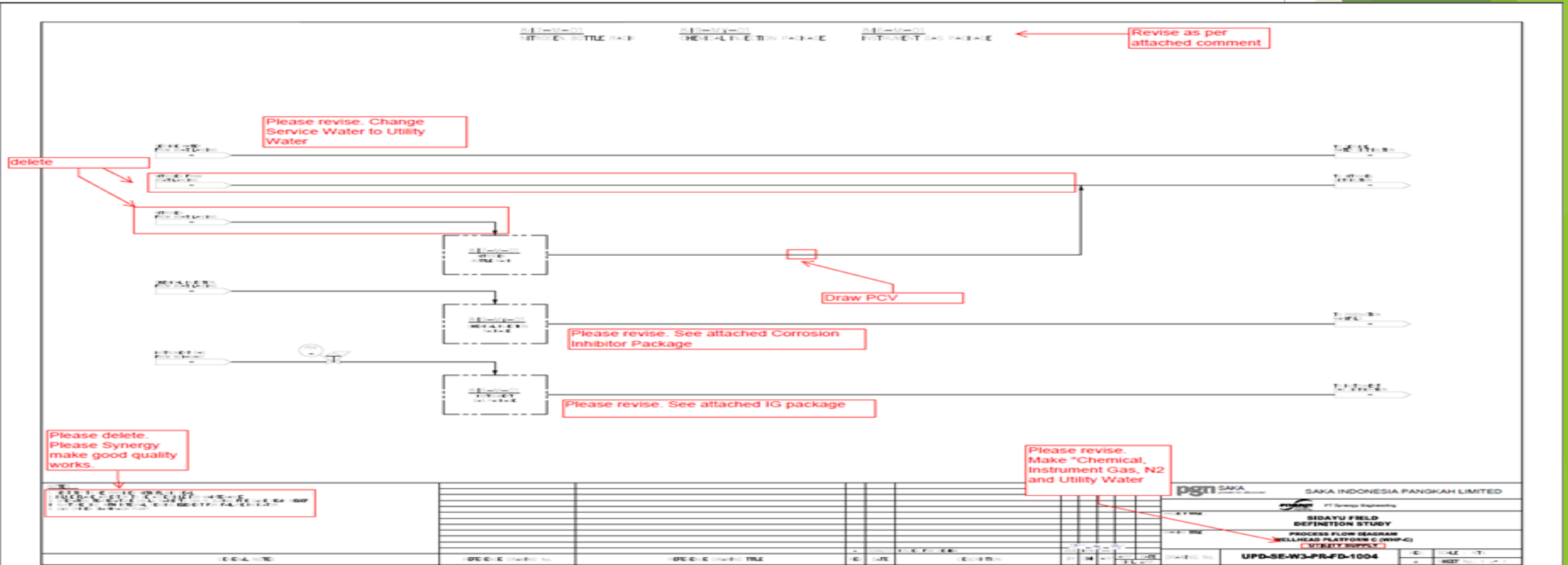
View File

View List

No	Document	Upload Date	Upload By	Action
1	<a href="#">Jajat_STRUCTURAL.pdf</a>	31-08-2017 14:50:29	Jajat	<a href="#">Delete</a>
2	<a href="#">Jajat_UPD-SE-G8-PS-RP-0002_Sidayu Field Definition Study Weekly Progress Report_revA.pdf</a>	09-10-2017 07:50:09	Jajat	<a href="#">Delete</a>

**Upload** Drag & Drop Files

Start Upload



**Work Order****SAKA INDONESIA PANGKAH Ltd**

The Energy , 11th - 12th Floor, Lot. 11A SCBD Sudirman Kav. 52-53  
 Jl. Jend. Sudirman Jakarta Selatan 12190  
 Indonesia  
 Telp : 021 29951000

**WORKFLOW FOR REVIEW**

<b>Workflow Type</b>	Workflow
<b>Documnet Status</b>	Review
<b>User Name</b>	Jajat Sumantri
<b>Workflow Email</b>	Jajat.Sumantri@sakaenergi.com
<b>Department</b>	IT & Data Management
<b>Prepared by</b>	Febriana
<b>Date</b>	22-08-2017
<b>Date Create</b>	22-08-2017 15:03:35
<b>Created By</b>	Febriana
<b>Comment</b>	Pak Jajat, Please review thanks
<b>WO Workflow</b>	 2017000000231
<b>Documnet On</b>	4281

<b>User Name</b>	Jajat Sumantri at: 22-08-2017 15:37:56	Action
<b>Comment</b>	Pak.Haidar, please review, thanks	Delete

<b>User Name</b>	Jajat Sumantri at: 05-09-2017 06:49:45
<b>Comment</b>	Pak.Hari, please review, thanks

**Document Category : PREFEED**

No.	DOCUMENT NUMBER	REVISION NUMBER	DOCUMENT TITLE
1	UPD-SE-G8-PR-RP-1004_Sensitivity Assessment of Sidayu Field for High Water Flowrate_Rev A.pdf	A	Sensitivity Assessment of Sidayu Field for High Water Flowrate
2	UPD-SE-G8-PR-RP-1004_Sensitivity Assessment of Sidayu Field for High Water Flowrate_Rev B.pdf	B	Sensitivity Assessment of Sidayu Field for High Water Flowrate

**Upload**

Drag &amp; Drop Files

**Start Upload**

Assign to User

**SEND Mail TO****USER NAME**

Jajat Sumantri

**DEPARTEMEN NAME**

IT &amp; Data Management

Comment :

Save Comment

Would you like to store your password

# Project Controlling by Project Manager

The background features abstract, overlapping geometric shapes in various shades of green, ranging from light lime to dark forest green. These shapes are primarily located on the right side of the slide, creating a modern, layered effect. The rest of the slide is a plain white background.

# EDMS

Engineering Document Management System

Username

Password

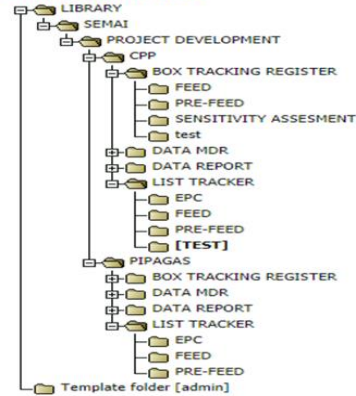
Login

# EDMS

Engineering Document Management System  
FOR TESTING ONLY

[Home](#) [Admin](#) [Search](#) [Report](#) [Help](#) [Logout](#)

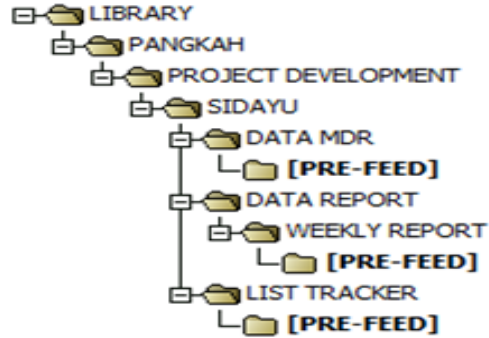
Record telah berhasil diubah.



Create New Record File   Security Access   Document Registered   Document Reviewed   Document Revised   Document Final   Document Completed														
	NO	WORKFLOW NO	VOLUME NO	BOOK NUMBER	BOX NO	DICIPLINE	DOCUMENT CATEGORY	FOLDER 1	FOLDER 2	FOLDER 3	DOCUMENT NUMBER	REVISION NUMBER	DOCUMENT TITLE	DATE (M/D/')
<input type="checkbox"/>	1	00233				STRUCTURAL	STRUCTURAL STUDY	UPD-SE-G4-SD-RP-4001	PDF		UPD-SE-G4-SD-RP-4001_WHP B New Riser Guard Impact Analysis_Rev B.pdf	C	Sidayu Field Definition Study WHP B New Riser Guard Impact Analysis	7/24/20
<input type="checkbox"/>	2	00233		1	1	STRUCTURAL	STRUCTURAL STUDY	UPD-SE-G4-SD-RP-4001	PDF		UPD-SE-G4-SD-RP-4001_WHP B New Riser Guard Impact Analysis_Rev B.pdf	B	Sidayu Field Definition Study WHP B New Riser Guard Impact Analysis	7/24/20
<input type="checkbox"/>	3	00234				STRUCTURAL		UPD-SE-G4-SD-RP-4001				A		
<input type="checkbox"/>	4	00265	1	1	1	STRUCTURAL		UPD-SE-G6-SD-RP-4001-TEST			AAA	A	TEST	9/27/20

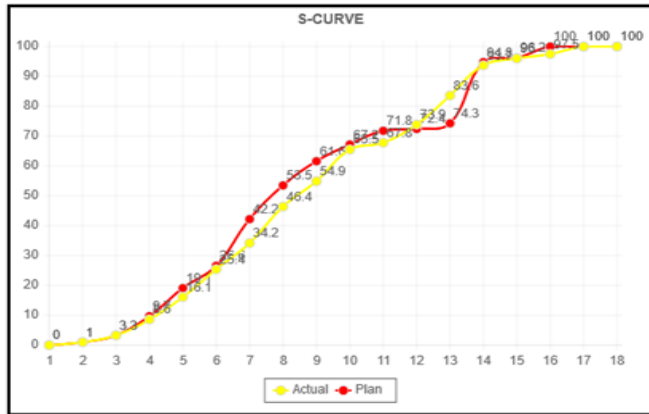


LIBRARY > PANGKAH > PROJECT DEVELOPMENT > SIDAYU > DATA MDR > PRE-FEED



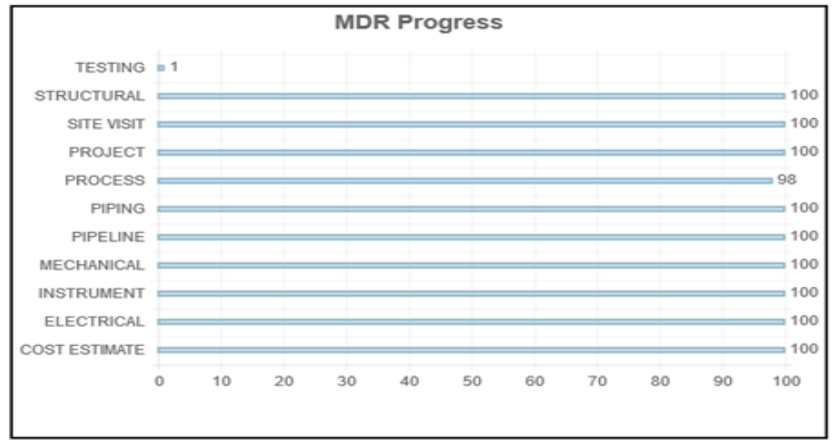
Progress Chart S-Curve

NO	DOCUMENT CODE	CTR / DRAWING NO.	DOCUMENT PROSES	DOCUMENT CATEGORY	DELIVERABLES	WGT.	START REV	START PLAN	START ACT	IDC PLAN
1	ST-001	UPD-SE-G8-SD-RP-4002	STRUCTURAL	Structural Study / Report	Sidayu Field Definition Study Sidayu Preliminay Structure Design	3.56	.. 1	05/26/2017	05/26/2017	06/06/2017
2	ST-001	UPD-SE-G8-SD-RP-4002	STRUCTURAL	Structural Study / Report	Sidayu Preliminary Structure Design	3.56	.. 1	05/26/2017	05/26/2017	06/06/2017
3	PR-002	UPD-BC-W2-PR-FD-1202	PROCESS	Process Drawing	WHP-B Gas/Liquid Import & Export PFD	0.00	.. 1	04/21/2017	04/21/2017	05/09/2017



	20-Apr-2017	27-Apr-2017	04-May-2017	11-May-2017	18-May-2017	25-May-2017	01-Jun-2017	08-Jun-2017	15-Jun-2017	22-Jun-2017	29-Jun-2017	06-Jul-2017	13-Jul-2017	20-Jul-2017	27-Jul-2017	03-Aug-2017	10-Aug-2017	17-Aug-2017
Total Plan	0	1	3.3	9.7	19.1	26.6	42.2	53.5	61.6	67.2	71.8	72.4	74.3	94.8	96.2	100	100	100
Total Actual	0	1	3.3	8.6	16.1	25.4	34.2	46.4	54.9	65.5	67.8	73.9	83.6	93.7	96	97.5	100	100

Data Dummy For Testing Chart Library



TESTING	STRUCTURAL	SITE VISIT	PROJECT	PROCESS	PIPING	PIPELINE	MECHANICAL	INSTRUMENT	ELECTRICAL	COST ESTIMATE
1	100	100	100	98	100	100	100	100	100	100

- LIBRARY
  - PANGKAH
    - OPERATION
      - SO2 SCRUBBER REPLACEMENT
        - BOX TRACKING REGISTER
        - DATA MDR
        - DATA REPORT
        - INVOICE
        - MOM
          - [EPC]
        - PROCUREMENT
        - TRANSMITTAL
          - [EPC]
        - WEEKLY REPORT
          - [EPC]

Create New Record File   Security Access   Document Registered   Document Reviewed   Document Revised   Document Final   Document Completed													
NO	WORKFLOW NO	BOOK NO	BOX NO	DOCUMENT NUMBER	REVISION NUMBER	DOCUMENT TITLE	DATE	STATUS COMMENT	VENDOR NAME	CONTRACT NUMBER	PROJ TITL		
1	00276			WR-0064-AGCIA-001	0	Weekly Report No.01	09/15/2017	IFI	AGCIA	4600012554	Provision of SO2 Scrubber Vesse (Engineering, Procurement, Fabr Project		
2	00277			WR-0064-AGCIA-002	0	Weekly Report No.02	09/22/2017	IFI	AGCIA	4600012554	Provision of SO2 Scrubber Vesse (Engineering, Procurement, Fabr Project		

- LIBRARY
  - PANGKAH
    - OPERATION
      - SO2 SCRUBBER REPLACEMENT
        - BOX TRACKING REGISTER
        - DATA MDR
        - DATA REPORT
        - INVOICE
        - MOM
          - [EPC]
        - PROCUREMENT
        - TRANSMITTAL
          - [EPC]
        - WEEKLY REPORT
          - [EPC]
        - LIST TRACKER
          - [EPC]
        - WATER DISCHARGE OVERBOARD
        - BOX TRACKING REGISTER
        - DATA MDR
        - DATA REPORT
        - LIST TRACKER
        - PROJECT DEVELOPMENT

Create New Record File   Security Access   Document Registered   Document Reviewed   Document Revised   Document Final   Document Completed													
NO	WORKFLOW NO	BOOK NO	BOX NO	REPORT NUMBER	DOCUMENT TITLE	DATE	STATUS COMMENT	PDF	NATIVE	HARD COPY	VENDOR NAME	CONTRACT NUMBER	PROJ TITL
1	00244			MOM-0064-0002	Project Alignment Meeting (Document Control)	09/26/2017		PDF	Native	HARDCOPY	AGCIA	4600012554	Provision of SO2 Sc (Engineering, Procu
2	00310			MOM-0064-0006	Master List and Other Technical Issue	11/10/2017		PDF			AGCIA	4600012554	Provision of SO2 Sc (Engineering, Procu
3	00310			MOM-0064-0006	Master List and Other Technical Issue Revised	11/10/2017		PDF			AGCIA	4600012554	Provision of SO2 Sc (Engineering, Procu

[1] EXPORT TO XLS



3 record found. from 1 to 3.

- LIBRARY
  - PANGKAH
    - OPERATION
      - SO2 SCRUBBER REPLACEMENT
        - BOX TRACKING REGISTER
        - DATA MDR
        - DATA REPORT
        - INVOICE
        - MOM
          - [EPC]
        - PROCUREMENT
        - TRANSMITTAL
          - [EPC]
        - WEEKLY REPORT
          - [EPC]
        - LIST TRACKER
          - [EPC]

Create New Record File   Security Access   Document Registered   Document Reviewed   Document Revised   Document Final   Document Completed													
NO	WORKFLOW NO	BOOK NO	BOX NO	TRANSMITTAL NUMBER	DOCUMENT TITLE	DATE	STATUS COMMENT	PDF	NATIVE	HARD COPY	VENDOR NAME	CONTRACT NUMBER	PROJ TITL
1	00248			P-0064-T-0001	TRANSMITTAL	09/27/2017		PDF		HARDCOPY	AGCIA	4600012554	Provision of : (Engineering
2	00250			P-0064-T-0002	TRANSMITTAL	9/28/2017		PDF			AGCIA	4600012554	Provision of : (Engineering
3	00260			P-0064-T-0003	TRANSMITTAL	10/02/2017		PDF			AGCIA	4600012554	Provision of : (Engineering

- LIBRARY
  - PANGKAH
    - OPERATION
      - SO2 SCRUBBER REPLACEMENT
      - BOX TRACKING REGISTER
      - DATA MDR
      - DATA REPORT
      - INVOICE
      - MOM
      - PROCUREMENT
      - TRANSMITTAL
      - WEEKLY REPORT
        - EPC
      - LIST TRACKER
        - EPC
    - WATER DISCHARGE OVERBOARD
      - BOX TRACKING REGISTER
      - DATA MDR
      - DATA REPORT
      - LIST TRACKER
    - PROJECT DEVELOPMENT
      - SIDAYU
        - BOX TRACKING REGISTER
          - EPC
          - FEED
          - [PRE-FEED]**
          - SENSITIVITY ASSESMENT
          - test
        - DATA MDR
        - DATA REPORT
        - LIST TRACKER

Security Access    Print    Open Project

	<b>UJUNG PANGKAH DEVELOPMENT SIDAYU FIELD DEFINITION STUDY PRE-FEED</b>	
--	---	---

**FINAL DOCUMENTATION HANDOVER CERTIFICATE**

CONTRACT NO : 4600012348  
PROJECT : UJUNG PANGKAH DEVELOPMENT SIDAYU FIELD DEFINITION STUDY

**ACCEPTANCE**

IT IS HEREBY THAT THE FINAL DOCUMENTATION REFERENCED HAS BEEN CHECKED AND ACCEPTED IN ACCORDANCE WITH THE CONTRACT REQUIREMENT

NO	VOLUME NO	BOOK NUMBER	BOX NO	DICIPLINE	DOCUMENT TYPE	PDF	NATIVE	HARDCOPY	TOTAL FILE	REMARKS
1		1 OF 6	UPD-SE-0001	COST ESTIMATE	COST ESTIMATOR	PDF	NATIVE	HARDCOPY	1	
2		1 OF 6	UPD-SE-0001	PROCESS	PROCESS STUDY	PDF	NATIVE	HARDCOPY	4	
3		1 OF 6	UPD-SE-0001	PROJECT	GENERAL REPORT	PDF	NATIVE	HARD COPY	4	
4		2 OF 6	UPD-SE-0001	ELECTRICAL	ELECTRICAL LIST	PDF	NATIVE	HARDCOPY	2	
5		2 OF 6	UPD-SE-0001	MECHANICAL	MECHANICAL LIST	PDF	NATIVE	HARDCOPY	3	
6		2 OF 6	UPD-SE-0001	PIPELINE	PIPING STUDY	PDF	NATIVE	HARDCOPY	1	
7		3 OF 6	UPD-SE-0001	STRUCTURAL	STRUCTURAL STUDY	PDF	NATIVE	HARD COPY	2	
8		4 OF 6	UPD-SE-0001	STRUCTURAL	STRUCTURAL STUDY	PDF	NATIVE	HARDCOPY	2	
9		5 OF 6	UPD-SE-0001	STRUCTURAL	STRUCTURAL STUDY	PDF	NATIVE	HARDCOPY	1	
10		6 OF 6	UPD-SE-0002	INSTRUMENT	INSTRUMENT DRAWING	PDF	NATIVE	HARDCOPY	1	
11		6 OF 6	UPD-SE-0002	PROCESS	PROCESS DRAWING	PDF	NATIVE	HARDCOPY	17	
12		6 OF 6	UPD-SE-0002	PIPING	PIPING DRAWING	PDF	NATIVE	HARDCOPY	14	
Total									52	

**ACCEPTANCE SIGNATURE**

CONTRACTOR		COMPANY	
CONTRACTOR REPRESENTATIVE	PROJECT REPRESENTATIVE	OPERATION REPRESENTATIVE	
NAME	NAME	NAME	
DATE	DATE	DATE	
SIGNATURE	SIGNATURE	SIGNATURE	

Close By : Ahmad Haidar at :2017-10-25 14:25:58

**Note** All final document Pre-Feed has been submitted according to MDR list. Need to review document Sensitivity Assessment as part of Pre-Feed.



- LIBRARY
  - PANGKAH
    - OPERATION
      - [SO2 SCRUBBER REPLACEMENT]
        - BOX TRACKING REGISTER
        - DATA MDR
        - DATA REPORT
          - INVOICE
          - MOM
          - PROCUREMENT
          - TRANSMITTAL
          - WEEKLY REPORT
            - EPC
        - LIST TRACKER
          - EPC
      - WATER DISCHARGE OVERBOARD
        - BOX TRACKING REGISTER
        - DATA MDR
        - DATA REPORT
        - LIST TRACKER
      - PROJECT DEVELOPMENT
        - SIDAYU
          - BOX TRACKING REGISTER
            - EPC
            - FEED
            - PRE-FEED
            - SENSITIVITY ASSESMENT
            - test
          - DATA MDR
          - DATA REPORT
          - LIST TRACKER

**Rekapitulation Document Status Data Report For: Jajat**

Data Report	Document	Total Document Registered
INVOICE	EPC	0
MOM	EPC	3
PROCUREMENT	PURCHASE ORDER	0
	CONTRACT	0
TRANSMITTAL	EPC	11
WEEKLY REPORT	EPC	13

**Rekapitulation Document Status List Tracker For: Jajat**

Document	Total Document Registered	Total Document Reviewed	Total Document Revised	Total Document Final
EPC	110	53	15	42

# EDMS

Engineering Document Management System  
FOR TESTING ONLY

Home Admin Search Report Help Logout

LIBRARY > SEMAI > PROJECT DEVELOPMENT > CPP > LIST TRACKER > PRE-FEED

LIBRARY SEMAI PROJECT DEVELOPMENT														
Create New Record File Security Access Document Registered Document Reviewed Document Revised Document Final Document Completed Download File Final Dowr														
	NO	WORKFLOW NO	VOLUME NO	BOOK NUMBER	BOX NO	DICIPLINE	DOCUMENT CATEGORY	FOLDER 1	FOLDER 2	FOLDER 3	DOCUMENT NUMBER	REVISION NUMBER	DOCUMENT TITLE	DATE (M/D/)
<input type="checkbox"/>	1	00047				STRUCTURAL	STRUCTURAL STUDY	UPD-SE-G8-SD-RP-4001	PDF		UPD-SE-G8-SD-RP-4001	A	Sidayu Field Definition Study Sidayu WHP Substructure Comparison	6/9/201
<input type="checkbox"/>	2	00052				STRUCTURAL	STRUCTURAL STUDY	UPD-SE-G6-SD-RP-4002	PDF		UPD-SE-G6-SD-RP-4002	A	Sidayu Field Definition Study WHP-B In Place Analysis	06/02/2

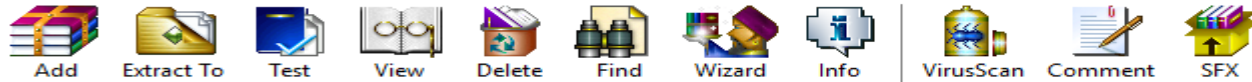
## Work Order

Download File

Back

EPC\_304.zip - WinRAR (only 20 days left to buy a license)

File Commands Tools Favorites Options Help



EPC\_304.zip\EPC - ZIP archive, unpacked size 4,607,453 bytes

Name	Size	Packed	Type	Modified	CRC32
..			File folder		
HEALTH, SAFETY AND ENVIRONMENT			File folder	12/28/2017 8:0...	
MECHANICAL			File folder	12/28/2017 8:0...	
PROJECT MANAGEMENT			File folder	12/28/2017 8:0...	

*Thank you*

The background features abstract, overlapping geometric shapes in various shades of green, ranging from light lime to dark forest green. These shapes are primarily located on the right side of the frame, creating a modern, layered effect against the white background.